

# Magnete Neodimio 20x08

Grade	Remanence (Br)		Normal Coercivity (HcB)		Intrinsic Coercivity (HcJ)		Maximum Energy Product (BH max)		Maximum Operating Temperature (B/H >0,7)	Curie Temperature	Density	Temperature Coefficients			
	T	KG	kA/m	kOe	kA/m	kOe	kJ/m <sup>3</sup>	MGOe	°C	°C	g/cm <sup>3</sup>	Br% / °C	HcJ% / °C		
REN 33SH	min 1,14	nom 1,22	11,4	12,2	≥851	≥10,7	≥1.592	≥20	247 287	31 36	140	>310	7,5 - 7,6	-0,11	-0,65



Axial Orientation



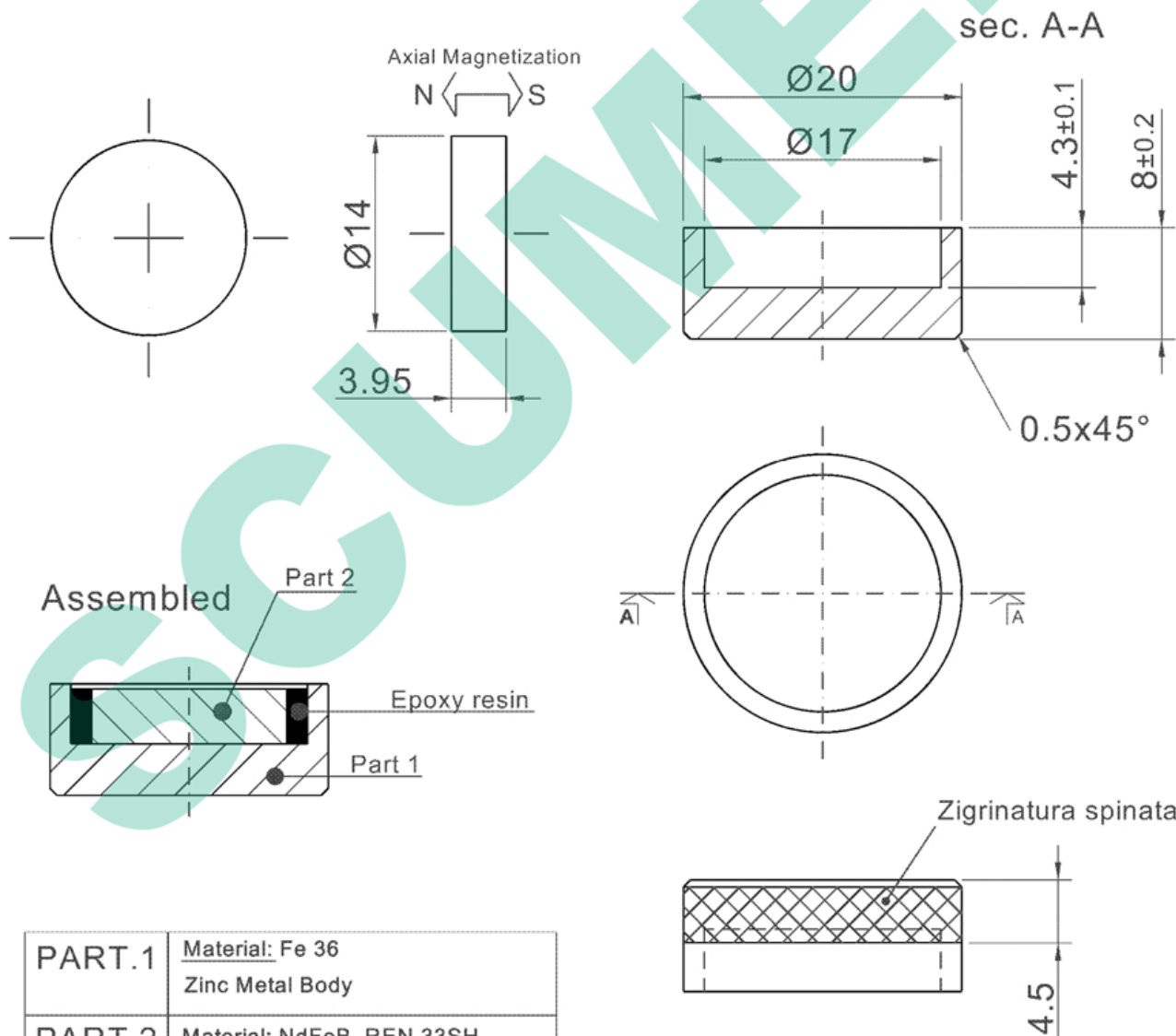
Magnetized Type: Yes Axial

Marking Type: No

Treatment: Yes Ni+Cu+Ni

Note: \_\_\_\_\_

Nominal Weight
g
.



PART.1	<u>Material:</u> Fe 36 Zinc Metal Body
PART.2	<u>Material:</u> NdFeB REN 33SH Magnet Nickel Coated

## SCUMED

via san marco, 38/40  
Sesto san giovanni (MI)  
CF:04239450150  
PI: 00774350961



Tel: +39 02 2405451  
Fax: +39 02 2409472  
Web: [www.scumed.it](http://www.scumed.it)  
Mail: [info@scumed.it](mailto:info@scumed.it)